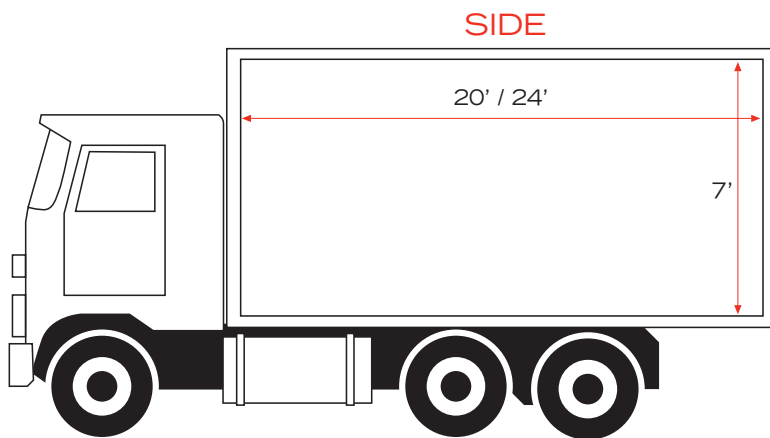




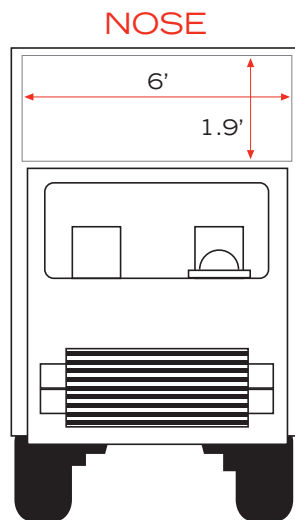
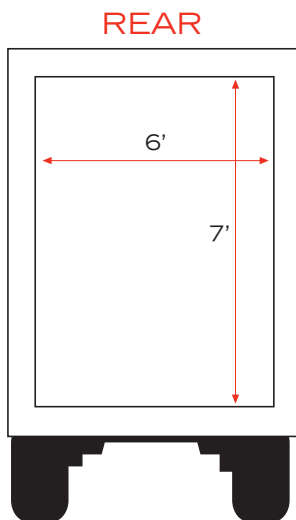
Spec Sheet.

Layout A - Full Coverage.

Costs Include: Production, and application. (*One Vehicle)



Vehicles:	20'
Graphic:	4 Color - Full Coverage
Area:	(2) Sides, (1) Rear, (1) Nose
Size:	(2) Sides - 7' x 20' (1) Rear - 7' x 6' (1) Nose - 1.9' x 6'
Total:	334 sq. ft. \$1,987.00



Vehicles:	24'
Graphic:	4 Color - Full Coverage
Area:	(2) Sides, (1) Rear, (1) Nose
Size:	(2) Sides - 7' x 24' (1) Rear - 7' x 6' (1) Nose - 1.9' x 6'
Total:	390 sq. ft. \$2,325.00

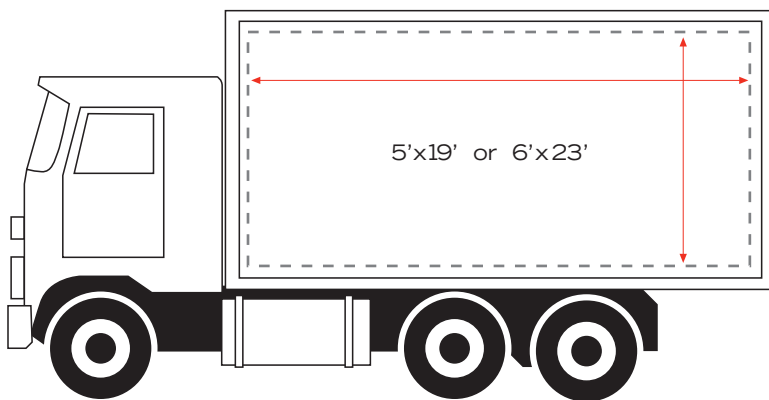


Spec Sheet.

Layout B - Poster Size.

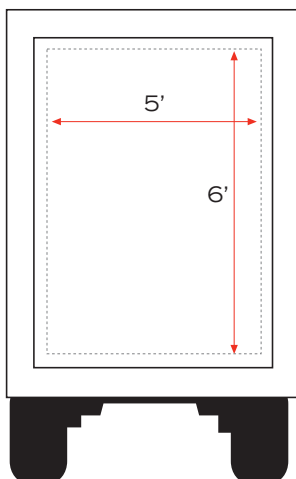
Costs Include: Production, and application. (*One Vehicle)

SIDE

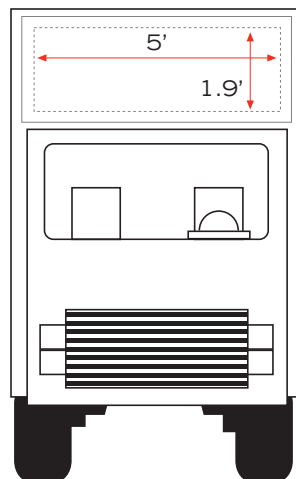


Vehicles:	20'
Graphic:	4 Color - Poster Size
Area:	(2) Sides,(1) Rear, (1) Nose
Size:	(2) Sides - 5' x 19' (1) Rear - 5' x 6' (1) Nose - 1.9' x 5'
Total:	230 sq. ft. \$1,369.00

REAR



NOSE



Vehicles:	24'
Graphic:	4 Color - Poster Size
Area:	(2) Sides,(1) Rear, (1) Nose
Size:	(2) Sides - 6' x 23' (1) Rear - 5' x 6' (1) Nose - 1.9' x 5'
Total:	317 sq. ft. \$1,887.00